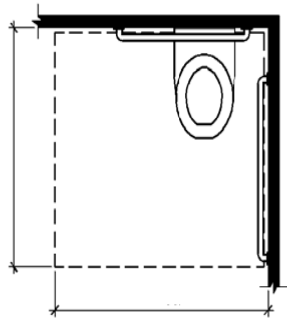


FORM F: APPENDIX V RESTROOMS

Survey Date: _____

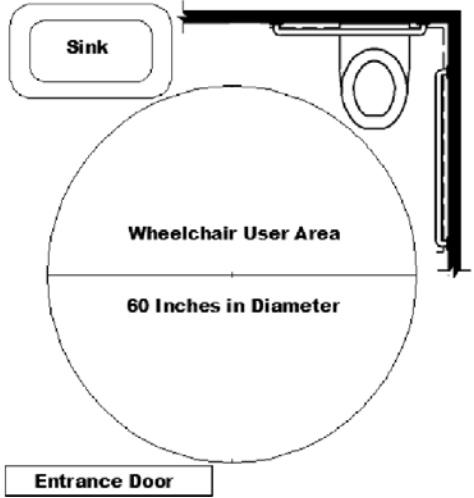
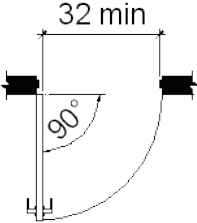
Location Name _____
 Location Address: _____
(street address) (city) (state) (zip)

Questions **Possible Solutions**

	Yes	No	NA	▶	▶	
<p>Note: The ADA does not require both a male and female accessible restroom. Only one Single Occupancy restroom must be accessible with a sign that has a unisex symbol and an accessible symbol. Many facilities do have accessible features in both restrooms. This survey is designed to document this.</p>						<input type="checkbox"/> Men's Multiple Occupancy Restroom. <input type="checkbox"/> Women's Multiple Occupancy Restroom. <input type="checkbox"/> Unisex Single Occupancy Restroom.
1) Are restrooms available?	<input type="checkbox"/>	<input type="checkbox"/>				
2) Are restrooms available to the public? <i>If yes</i> , answer Questions 3 through 24.	<input type="checkbox"/>	<input type="checkbox"/>	<input type="checkbox"/>			
3) Is the restroom easily located and on an accessible path of travel?	<input type="checkbox"/>	<input type="checkbox"/>	<input type="checkbox"/>			<input type="checkbox"/> Install signs identifying an accessible path.
4) If a Single Occupancy restroom, measure total width and length of the room? (Pencil in the dimensions on the outside of the diagram.)	<input type="checkbox"/>	<input type="checkbox"/>	<input type="checkbox"/>			Label Length and Width in Inches Below 

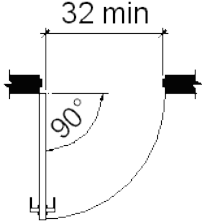
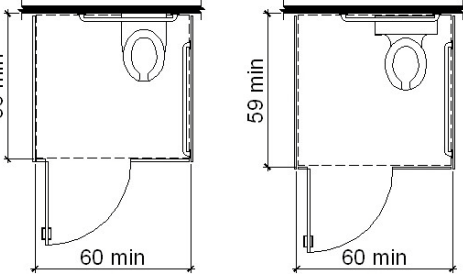

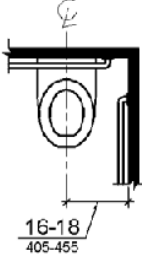
Questions

Possible Solutions

	Yes	No	NA	▶	▶	If no, consider making these changes:	
<p>5) If a Single Occupancy restroom, is there enough space for a wheelchair user to spin a circle, 60 inches in diameter, in the open space of the room?</p> <p>Note: To measure this feature, open a measuring tape 60 inches and place it on the floor in the open space. Spin it in a circle with the center of the diameter at 30 inches. If the tip of the tape does not hit the outside rim of the toilet, the clear space under the sink/vanity, and the entrance door (when closed), this is adequate for wheelchair users.</p>	<input type="checkbox"/>	<input type="checkbox"/>	<input type="checkbox"/>		<input type="checkbox"/>	<p>Reconfigure restroom features</p> 	
<p>6) With the restroom entrance door open 90 degrees, is there an opening at least 32 inches wide?</p>  <p>Note: The door opening is measured from the inside edge of the door (when opened) to inside edge of the door jamb opposite of the door.</p>	<input type="checkbox"/>	<input type="checkbox"/>	<input type="checkbox"/>	width	<input type="checkbox"/>	<p>Widen the door opening to 32 inches.</p> <p>If latch projects 5/8 inch, widen to at least 31-3/8 inches.</p> <p>Install offset (swing-clear) hinges.</p>	
<p>7) Is the door handle mounted between 34 and 48 inches above the ground/floor?</p>	<input type="checkbox"/>	<input type="checkbox"/>	<input type="checkbox"/>	height	<input type="checkbox"/>	<p>Reposition door handles.</p>	
<p>8) Is the handle operable with a closed fist? What style of door handle?</p> <p>a) Lever Style? Good!</p> <p>b) Closed Loop Style? Good!</p> <p>c) Flat Style? Okay.</p> <p>d) Loop Style w/a Latch? Not suggested. If so, set to unlock position.</p>	<input type="checkbox"/>	<input type="checkbox"/>	<input type="checkbox"/>	<input type="checkbox"/>	<input type="checkbox"/>	<input type="checkbox"/>	<p>Replace with a lever or loop handle.</p> <p>Retrofit with an add-on lever extension.</p> <p>Install power-assisted/automatic openers.</p> <p>Note: ALL Single Occupancy locking restroom doors must have a commercial grade lever door handle with a push button locking and self unlocking device! No twist style locking mechanism is permitted.</p>

Questions

Possible Solutions

9) If the restroom toilets are in stalls, is there a door opening at least 32 inches wide?	Yes	No	NA	If no, consider making these changes:
	<input type="checkbox"/>	<input type="checkbox"/>	<input type="checkbox"/>	<input type="checkbox"/> Widen the door opening to 32 inches. <input type="checkbox"/> If latch projects 5/8 inch, widen to at least 31-3/8 inches. <input type="checkbox"/> Install offset (swing-clear) hinges.
10) If the toilet is in a stall, is there sufficient clear floor space (excluding door swing) to access the toilet for people using wheelchairs? (Pencil in the dimensions on the figures below.)	<input type="checkbox"/>	<input type="checkbox"/>	<input type="checkbox"/>	<input type="checkbox"/> Modify the area to provide access.
Minimum clear floor space for toilets	<div style="border: 1px solid black; padding: 2px; text-align: center;">clear space</div>			wall-hung toilet floor-mounted toilet
11) Is the height of the toilet seat between 17 and 19 inches above the floor? (See figure below.)		<input type="checkbox"/>	<input type="checkbox"/>	<input type="checkbox"/>
	<div style="border: 1px solid black; padding: 2px; text-align: center;">height</div>		Seat height	
12) Is the center line of the toilet between 16 and 18 inches from the side wall or stall?			<input type="checkbox"/>	<input type="checkbox"/>
 <p>(a) wheelchair accessible water closets</p>	<div style="border: 1px solid black; padding: 2px; text-align: center;">width</div>			

Questions

Possible Solutions

Yes No NA ▶ ▶ If no, consider making these changes:

13) Are grab bars installed 1-1/2 inches from wall and between 33 and 36 inches above the floor?

Yes No NA

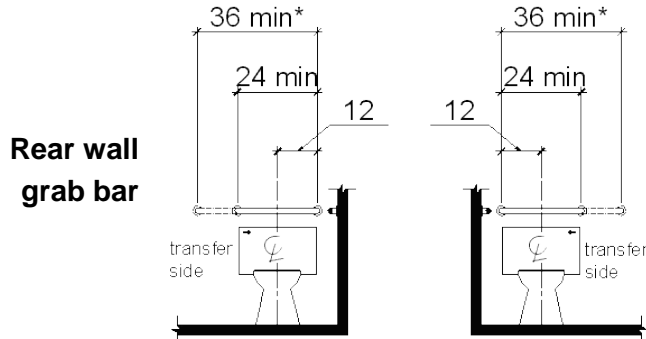
height

Install or modify grab bars.

14) Are grab bars the correct length? (See figures below.)

Yes No NA

Modify or install new grab bars.



Note: Rear grab bar should be a minimum of 36 inches long. If wall space is limited, a minimum of 24 inches is allowed.

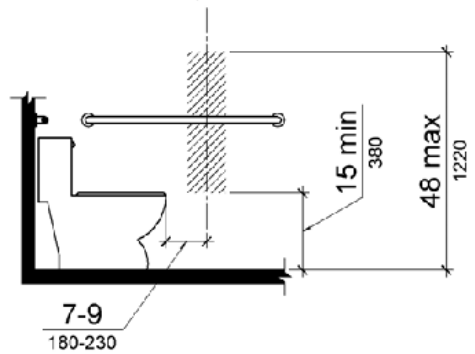
15) Is the toilet paper dispenser between 7 and 9 inches in front of the toilet and is the outlet of the dispenser between 15 and 48 inches above the floor?

Yes No NA

inches from toilet

height

Adjust the dispenser to an accessible position.



16) Is the top of the sink a maximum of 34 inches above the floor? (See figure below.)

Yes No NA

height

Modify the sink location to improve accessibility.
 Install a new accessible sink.

Note: The bottom of the sink needs to be at least 27 inches high. If the vanity is blocking the clearance area, modify it.

Questions

Possible Solutions

Yes No NA ▶ ▶ If no, consider making these changes:

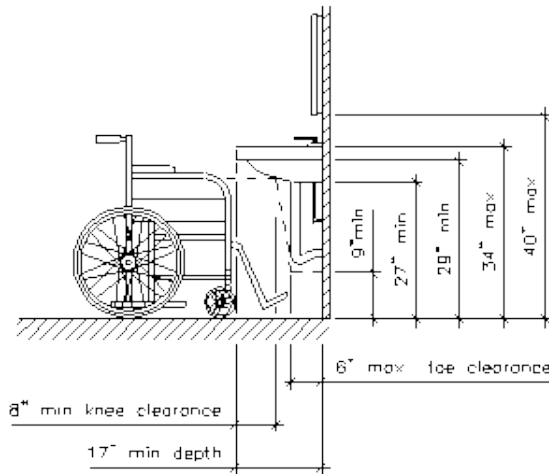
17) Is there a minimum depth of 8 inches for knee clearance and a minimum clear width of 30 inches? (See figure below.)

knee clearance

width

- Modify the sink location to improve accessibility.
- Install a new accessible sink.

Accessible sink and mirror



18) Does the plumping underneath the sink have scalding protection to prevent burns?

- Insulate plumbing to prevent injury.

19) Does the sink have lever style faucet that is operable with a closed fist?

- Install lever style faucets.

Note: The faucet has to be operable without the need to squeeze or twist the handle. Hand operated metering faucet must stay on for a 10 second minimum.

20) Is the mirror above the sink mounted no higher than 40 inches above the floor?

height

- Adjust location of the mirror to the correct position.

22) Is coathook mounted between 40 and 48 inches above the floor?

height

- Adjust location of the coatrack to the correct position.

23) Is soap dispenser mounted no higher than 48 inches above the floor?

height

- Adjust location of dispenser to the correct position.

24) Is towel dispenser mounted no higher than 48 inches above the floor?

height

- Adjust location of dispenser to the correct position.